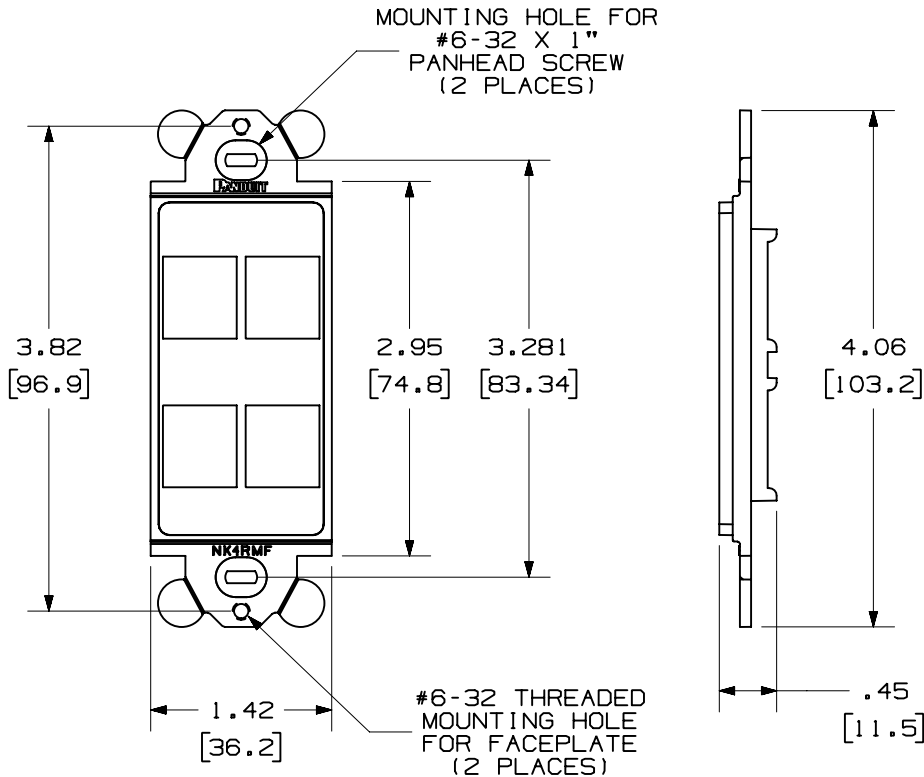
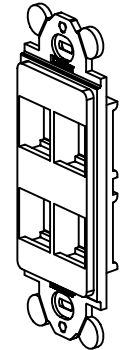


THIS COPY IS PROVIDED ON A RESTRICTED BASIS AND IS NOT TO BE USED IN ANY WAY DETRIMENTAL TO THE INTERESTS OF PANDUIT CORP.



PANDUIT P/N	WEIGHT
NK4RMF**	.02LB EACH PC (11.1G EACH PC)

- NOTES:
- SEE CURRENT CATALOG FOR ADDITIONAL PART NUMBER SUFFIXES TO INDICATE COLOR AND OR PACKAGE QUANTITY.
  - SEE CATALOG FOR COMPLETE LIST OF PARTS APPLICABLE FOR USE WITH THIS PART.
  - DIMENSIONS IN PARENTHESES ARE IN METRIC.
  - (2) #6-32 x 1" PANHEAD SCREWS ARE SUPPLIED.



MODEL FILENAME	D38402BA_NK4RMF_02.PRT	SIZE	A
DRAWING FILENAME	D38402BA_DC_02A.PRT		

NETKEY™ 4 POSITION RECTANGULAR MODULE FRAME CUSTOMER DRAWING

<p>PANDUIT™ CORP. TINLEY PARK, ILL 60477</p>	<p>ALL DIMENSIONS ARE GIVEN IN INCHES, UNLESS OTHERWISE SPECIFIED.</p> <p>DIMENSIONAL TOLERANCES ARE: (.X) ± (.XXX) ± .010(.3) (.XX) ± .031(.8) ANGLES ±</p>	I.I. NUMBER	N/A
	<p>THIRD ANGLE PROJECTION</p>	WORK INSTRUCTION	N/A
	<p>SCALE</p>	NONE	
	<p>DRAWN BY: JsP</p> <p>DATE: 3-11-03</p> <p>CHK'D</p>	MATERIAL:	ABS
		PART NO.	NK4RMF**
		DRAWING NO.	38402-02

REV	DATE	BY	CHK	DESCRIPTION	ECN	R	CUST	SUP	OTH
R	3-11-03	JsP		RELEASED TO PRODUCTION	38402-02				